



AJA

Wall Type Access Door

Description

The AJA type access doors are designed for use on walls and false ceilings.

Properties

The frame is manufactured of aluminium extruded profile. There is a neoprene gasket between the cover and the frame, which can withstand 90°C. The cover is made of aluminium sheet and if insulation is requested, it is fabricated as double-layer with glasswool insulation material inside. The cover is hinged at one side and secured at the other end by means of either a key lock or a triangular socket lock.

Materials

The frame is manufactured from ETIAL-60 norm aluminium extruded profile. There is a neoprene gasket between the cover and the frame, which can withstand 90°C. The cover is made of ETIAL-5 norm aluminium sheet. Insulation material is glasswool as per DIN 4102 Class A.

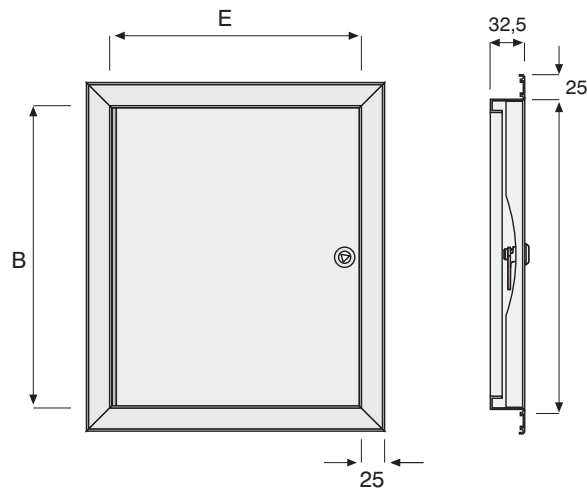
Surface Treatment

The surfaces of the access door are first cleaned, then treated with chromating process; after which, are painted electrostatically, with 20% gloss RAL 9010 shade as standard. Other colours are also available upon request.

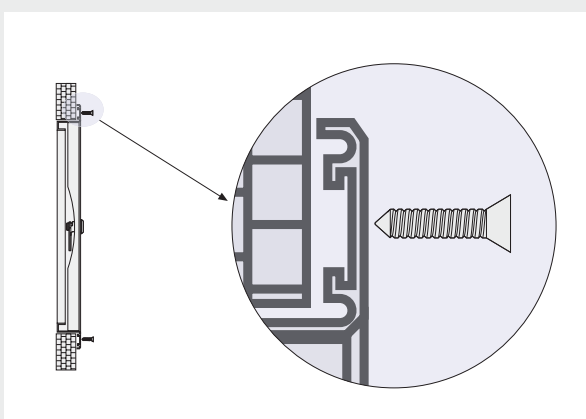
Dimensions

Standard Dimensions

E (mm)	B (mm)
200	300
300	400
400	500



Installation



A set of $\varnothing 4.2 \times 38$ Self-drilling screws, painted with the same colour, are given with the product.

Specification Text

Access door, designed for use on walls or false ceilings. The frame will be manufactured from ETIAL-60 norm aluminium extruded profile and the cover from ETIAL-5 norm aluminium sheet. Upon request, the cover will be made as double-layer with DIN 4102 Class A norm glasswool inside. The cover will be hinged at one side and secured at the other end by means of either a key lock or a triangular

socket lock. The surfaces of the access door will be cleaned, then treated with chromating process; after which, will be painted electrostatically in accordance with the colour request with a minimum of 60µ thickness.

Order Code

Model		AJA.25.AA.0 1-300 x 300-9010	
Frame	25 mm	E x B (mm) Refer to page2	Indicate RAL Colour Code
Accessories	AA..Uninsulated AB..Insulated		
Securing system	0.....Key lock 1.....Triangular socket lock		
Installation type	0.....Without screw holes 1.....With screw holes		
		Standard Dimensions	Colour Code

A

AJA

Wall Type
Access Door

KES KLİMA

INDUSTRIAL AND TRADE CO.

Uzay Çağı Caddesi No:10

06370 ÖstİM/ANKARA

Phone: +90.312.385 76 57

Fax : +90.312.354 12 31

www.kesklima.com



TÜV Rheinland Group



DIN EN ISO 9001:2000

Zertifikat: 01 100 042854